

Prem's **SPW-3100 Series** is a group of 6.0VA, International-Capable, Low Profile, PC mount transformers with dual 115/230V primaries and dual secondaries that are designed to be used in low power applications where minimum height is required. They provide the high isolation, creepage, and clearance distances required to comply with many international safety standards.

- Dual primaries & dual secondaries: Must be series or parallel connected
- Insulation system: Class B (130°C), UL 1446 (File E85315)
- Dielectric strength: 4500Vrms primary to secondary
- UL94V-0-rated bobbin & shroud
- Shrouded primary & three flange bobbin design; no electrostatic shield required
- Anchor, insulating, and crossover tapes plus two distinct, separate windings for each primary & secondary assure excellent dielectric strength capabilities
- 100% final tested: Every transformer is tested on automated panels for induced voltage (shorted turns), exciting current, open circuit voltage (turns ratio), polarity (phasing), and dielectric strength
- Immersed in 100% solids epoxy resin to withstand most aqueous and solvent cleaning systems
- Also available: Reduced EMI & pin-out compatible **SPW-2100 Series**
- Also available: Domestic, UL/CSA approved, & pin-out compatible **SPW-100 Series**
- Other primary and secondary voltages may be custom designed to your specifications

SPW-3100 Series (6.0VA) Data Sheet

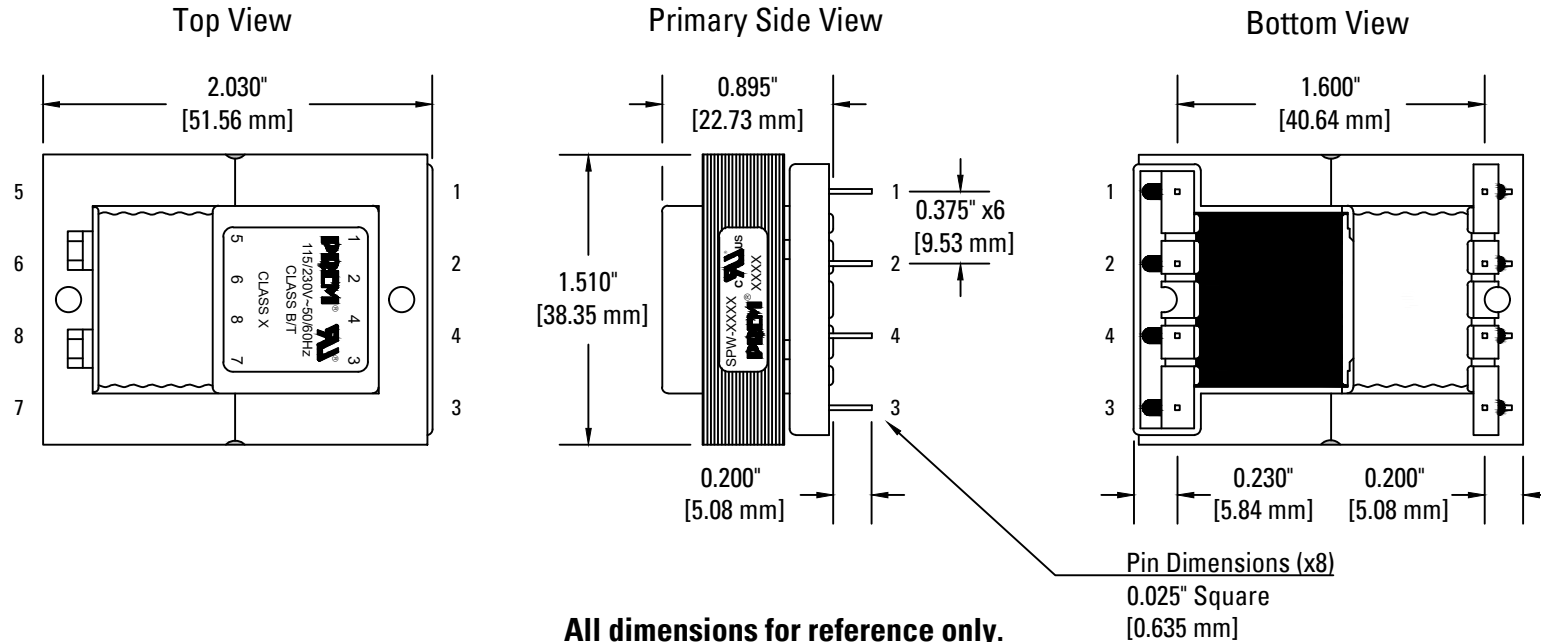
AGENCY CERTIFICATIONS:

UL 1446 (File E85315)

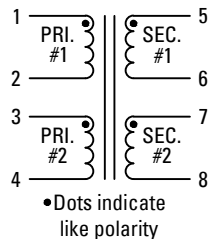
UL 1950 (File E125106)

UL 1585/5085-3 Class 2 & 3:
SPW-3100 to -3107, &
SPW-3111 (File E125107)

cUL: UL tested to CAN/CSA
C22.2 No. 234-M90 and
C22.2 No. 950
(File E125106), &
C22.2 No. 66.1-06, 66.3-06
(Class 2): SPW-3100 to
-3102 (File E125107)



Schematic



PRIMARY AND SECONDARY WINDINGS ARE DESIGNED TO BE USED AS ONE PRIMARY AND ONE SECONDARY WINDING WITH EITHER SERIES OR PARALLEL CONNECTIONS ONLY.

Input Voltage 1-4 (tie 2-3): 230V @ 50/60Hz
Input Voltage 1-4 (tie 1-3, 2-4): 115V @ 50/60Hz

Secondary Series Connections: Tie 6-7; output 5-8
Secondary Parallel Connections: Tie 5-7, 6-8; output 5-8

FUSE TYPES/VALUES USED TO GAIN SAFETY AGENCY COMPONENT RECOGNITION:

Fuse circuit location: Primary Fuse manufacturer: Littelfuse, Inc. (Des Plaines, IL)
Fuse P/N: 313.062 (230V Input) or 313.125 (115V Input)

PART NUMBER	RMS RATING WITH SECONDARIES IN:	
	SERIES	PARALLEL
SPW-3100	10VCT @ 600mA	5V @ 1.2A
SPW-3101	12.6VCT @ 450mA	6.3V @ 900mA
SPW-3102	16VCT @ 350mA	8V @ 700mA
SPW-3103	20VCT @ 300mA	10V @ 600mA
SPW-3104	24VCT @ 250mA	12V @ 500mA
SPW-3105	34VCT @ 170mA	17V @ 340mA
SPW-3106	40VCT @ 150mA	20V @ 300mA
SPW-3107	56VCT @ 100mA	28V @ 200mA
SPW-3108 *	88VCT @ 65mA	44V @ 130mA
SPW-3109 *	120VCT @ 50mA	60V @ 100mA
SPW-3110 *	230VCT @ 25mA	115V @ 50mA
SPW-3111	30VCT @ 200mA	15V @ 400mA

* Voltage ratings cannot be approved under UL 1585/5085-3

7/11/19 | -1 | Updated agency approvals | AG

DATE | ISS. | REVISION | BY

Designed by: RR 1/25/99
Drawn by: AG 7/11/19
Checked by: DB & TJK
Drawing rev.: SPW-3100-1

PREM
MAGNETICS, INC.

3521 N Chapel Hill Rd
Johnsburg, IL 60051
www.premmagnetics.com